



*www.vac-brick.com*

## *ProSeries Products*

### **Basic Block Y/C Video Distribution Amplifiers**

<b>Part Numbers</b>	<b>Brief Description</b>
14-911-602 Rev A	1X2 Standard Input, Unity Gain, DIN Connectors, 8-24V AC/DC
14-931-601 Rev A	1X1 Loop-thru Input, Unity Gain, DIN Connectors, 8-24V AC/DC

#### **Includes:**

1 (one) 55560 - 12V AC power supply

*All VAC products are assembled in Longmont, CO, USA*

### **Video Accessory Corporation**

1243 Sherman Drive, Suite 8

Longmont, Colorado 80501

(800) 821-0426

(303) 443-1319

fax (303) 440-8878

#### ***Two Year Limited Warranty***

All Video Accessory Corporation (VAC) products have a full two year limited warranty. Exclusion to the warranty include but are not limited to damage to external components, power LED failure where the product continues to functions, electrical damage due to lightning or ESD, and minor cosmetic imperfections in the epoxy that do not affect the unit's performance. The warranty shall be void if any alteration or repair of the VAC product is attempted by anyone not authorized by VAC. This warranty is expressly in lieu of all other warranties expressed or implied, including warranties of merchantability and fitness for use, and of all other obligation or liabilities on the part of VAC, and it neither assumes nor authorizes any other person to assume for it any liability in connection with the sale of this product. This warranty shall not apply to the product or any part thereof subjected to accident, negligence, alteration, abuse or misuse. No warranty whatsoever is made with respect to accessories or parts supplied by anyone other than VAC, and this warranty shall extend only to the original purchaser of the product. The warranty provided in this article is exclusive and in lieu of, and buyer hereby waives, all other remedies, express or implied, arising by law or otherwise, including consequential damages, where or not occasioned by negligence of VAC. This warranty shall not be extended, altered or varied except by written instrument signed by VAC and buyer, and shall only apply within the boundaries of the continental United States. Liability of VAC is limited repair or replacement at the option of VAC. Warranty work is to be sent to VAC. Freight charges will be the responsibility of the purchaser.

Rev. 01-01-2018

## Power:

These Bricks™ are designed to function properly with an input power of 8-24V DC (grounded or ungrounded supply) or 8-24V AC (ungrounded). A 2.1mm P5 style connector is used for the power input. All ProSeries units are shipped with a 12V AC, 600mA floating power supply that eliminates any ground loops through the power supply connection.

## Input:

**Standard** - The input for this products consists of a 4-pin DIN connector. A video signal with excessive DC component (or offset) such as those generated by many computer video boards will cause the VAC Brick to malfunction. The 1Vpp video signal needs to be within -1V to +1V. Ideally, the video signal's blanking level should be clamped to 0 volts, although an AC coupled signal is also acceptable.

**Loop-thru** - The loop-thru input for this products consists of two 4-pin DIN connectors. A video signal with excessive DC component (or offset) such as those generated by many computer video boards will cause the VAC Brick to malfunction. The 1Vpp video signal needs to be within -1V to +1V. Ideally, the video signal's blanking level should be clamped to 0 volts, although an AC coupled signal is also acceptable. The loop-thru input must be terminated (75 Ohms) by connecting to another S-video device.

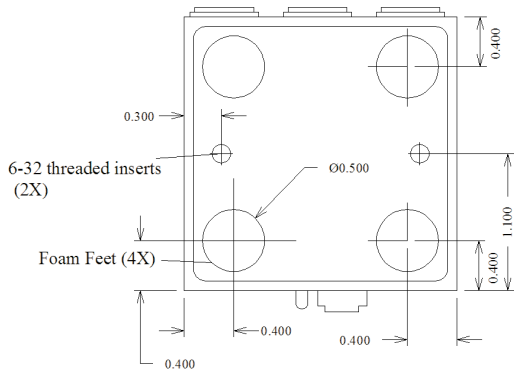
## Outputs:

The VAC Brick has either one or two video outputs consisting of 4-pin DIN connectors. Each output has a series impedance of 75 Ohms.

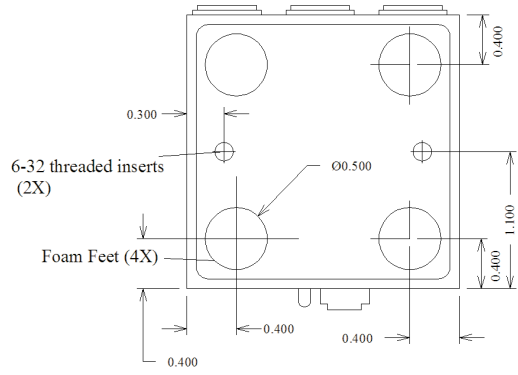
## Specifications:

<b>Frequency Response:</b>	DC - 100 MHz @ -3dB, fully loaded over full voltage range (1Vpp input signal, 0V DC offset)
<b>Input Signal Level:</b>	0.5 - 2.0Vpp (within -1V to +1V range from ground)
<b>Input Impedance:</b>	<i>Standard</i> - 75 Ohms <i>Loop-thru</i> - >5k Ohms
<b>Input Coupling:</b>	DC
<b>Input Connector(s):</b>	<i>Standard</i> - 4-pin DIN (total of 1) <i>Loop-thru</i> - 4-pin DIN (total of 2)
<b>Output Connectors:</b>	<i>Standard</i> - 4-pin DIN (total of 2) <i>Loop-thru</i> - 4-pin DIN (total of 1)
<b>Configuration:</b>	<i>Standard</i> - Standard input, two active outputs <i>Loop-thru</i> - Loop-thru input, one active output
<b>Gain:</b>	<i>Unity</i> - Unity
<b>Output Series Impedance:</b>	75 Ohms
<b>Package:</b>	Solid epoxy block 2.2" x 2.2" x 0.65" (not including connectors)
<b>Mounting:</b>	Two threaded 6-32 inserts
<b>Power:</b>	8-24V AC (ungrounded) 8-24V DC (grounded or ungrounded)
<b>Operating Temperature:</b>	-40C to + 50C
<b>Operating Humidity:</b>	0% - 95%
<b>Shipping Weight:</b>	2 lbs

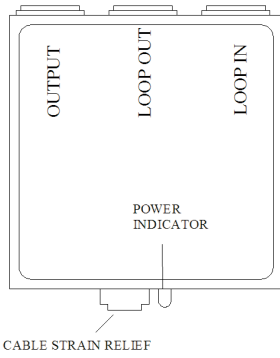
# Mechanical Drawing of Bricks



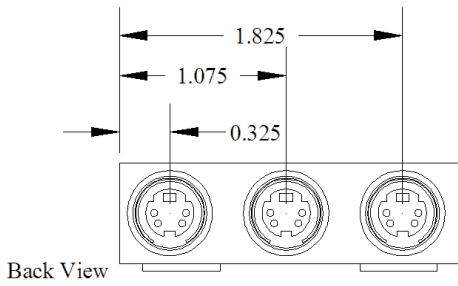
**top view (standard input)**



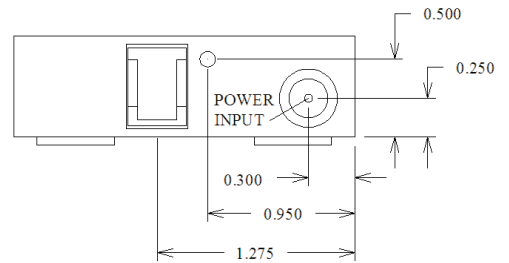
**bottom view / mounting inserts**



**top view (loop-thru input)**



**input / output connectors**



**power connector**