

Top View
USB (19)

1	PWR +5VDC
2	CTL 1
3	CTL 2
4	CTL 3
5	CTL 4
6	CTL GND
7	PWR GND

POWER
 12-24 VAC
 10-34 VDC

1	PWR ±
2	PWR ±
3	AGND
4	CGND

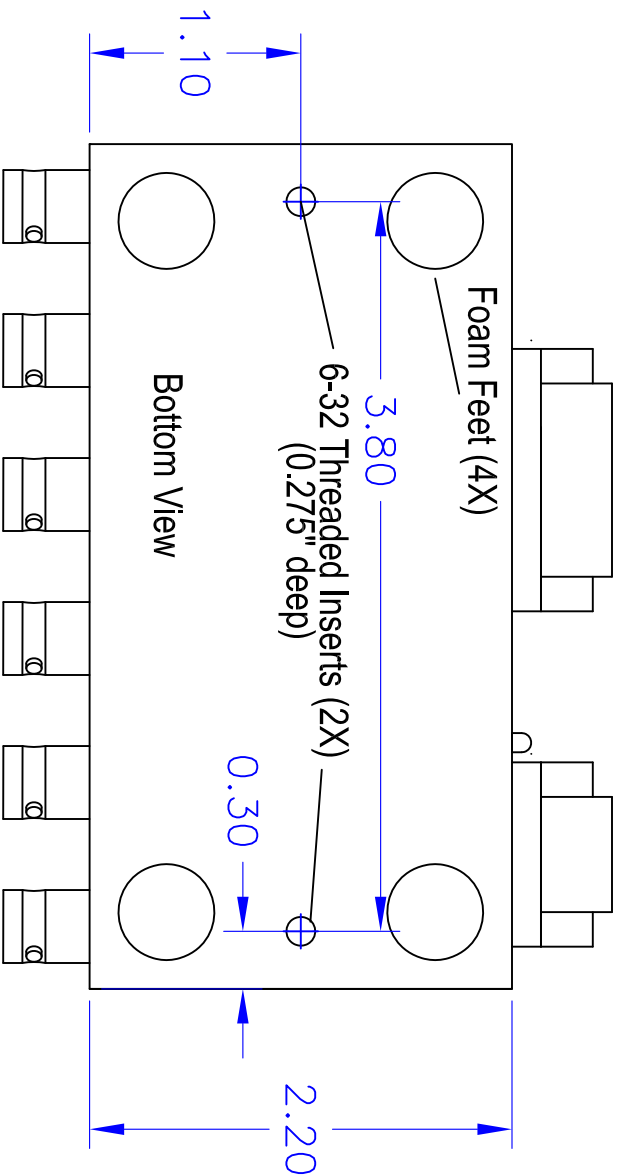
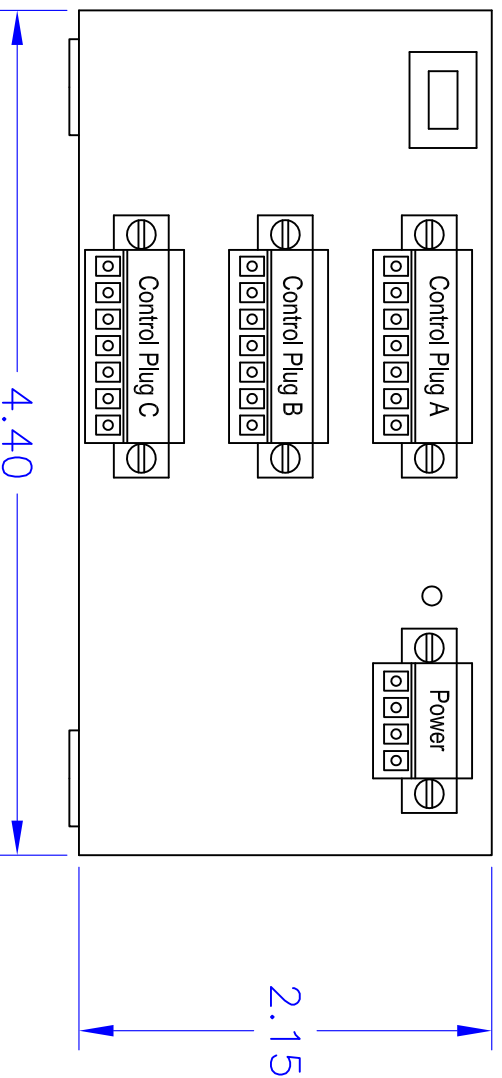
(U8) (J16) (J21) (U7)

Video Accessory Corporation

**12X2 Composite Video
 Switch Package Drawing**

MATERIAL: Epoxy
 (Cytec Conapoxy FR-1047/EA-87)

Scale 1:1	Dwg: 87-111-212-PACKAGE	Rev: A
Size: A	Date: Jan. 13, 2013	Sheet 1 of 2



Video Accessory Corporation
12X2 Composite Video
Switch Package Drawing

Scale 1:1	Dwg: 87-111-212-PACKAGE	Rev: A
Size: A	Date: Jan. 13, 2013	Sheet 2 of 2