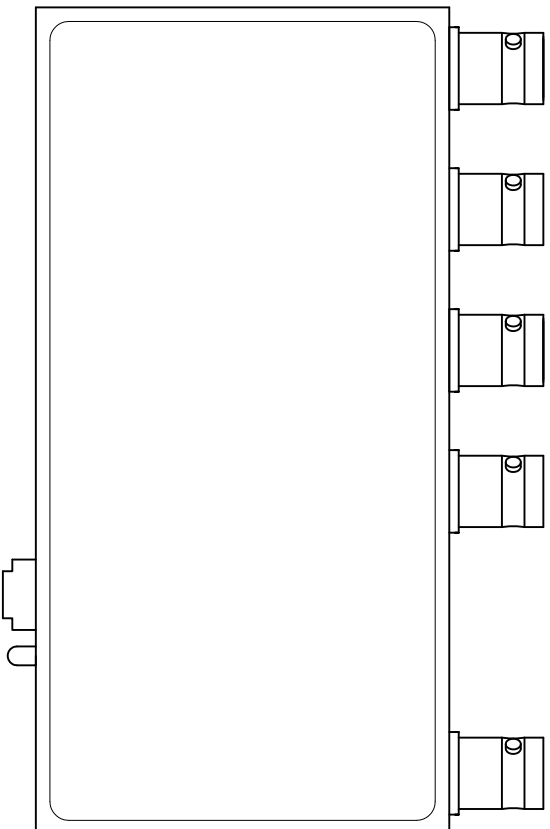
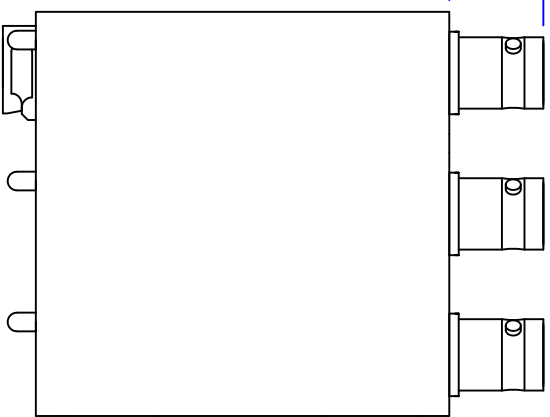


<b>Video Accessory Corporation</b>			
<b>11-1111-112 Video DA</b>			
<b>Package Drawing</b>			
SIZE	DWG NO.	REV	
A	11-1111-112-PACKAGE	A	
SCALE	DATE	SHEET	
NA	Mar. 3, 2005	Sheet 1 of 3	

Top View

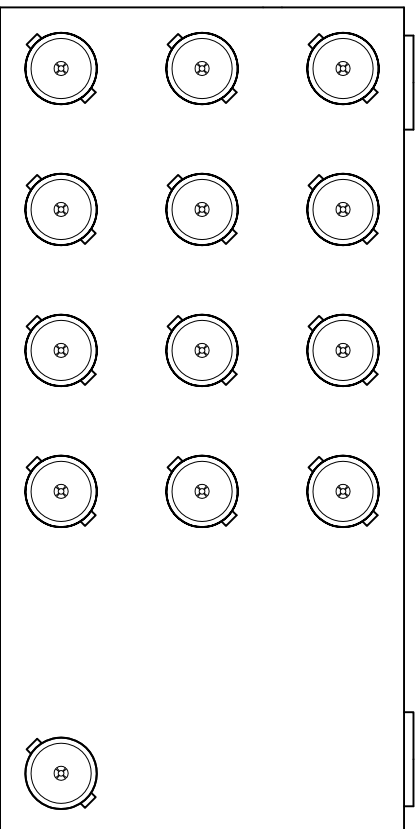


0.500



Left Side View

Back View

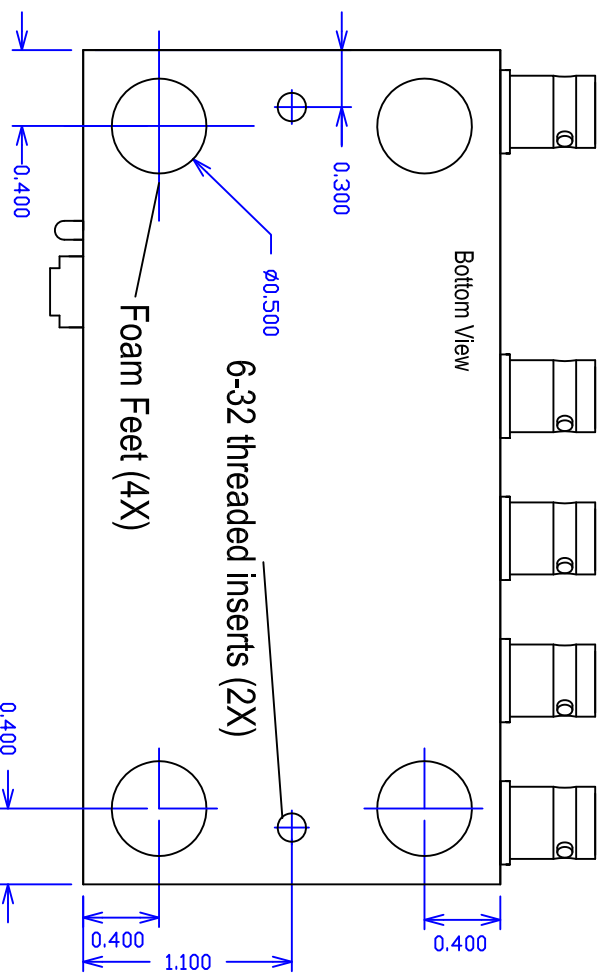
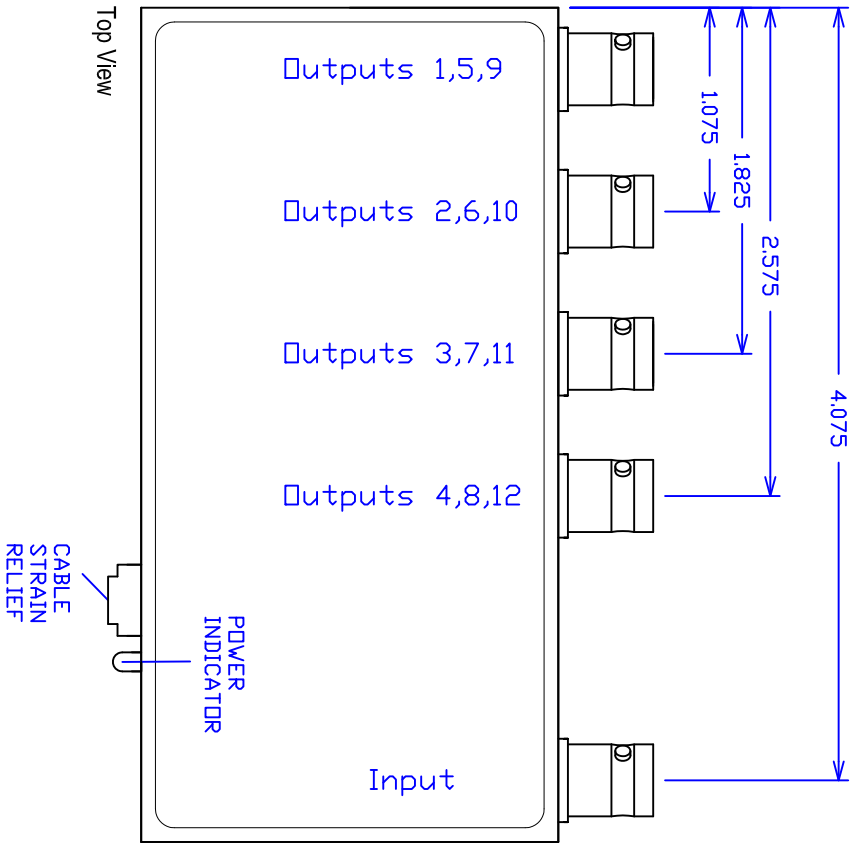


Video Accessory Corporation

11-1111-112 Video DA

Package Drawing

SIZE	DWG. NO.	REV.
A	11-1111-112-PACKAGE	A
SCALE	DATE	SHEET
NA	Mar. 3, 2005	Sheet 2 of 3



Video Accessory Corporation

11-1111-112 Video DA  
Package Drawing

SIZE	DWG. NO.	REV.
A	11-1111-112-PACKAGE	A
SCALE	NA	SHEET
	Mar. 3, 2005	Sheet 3 of 3